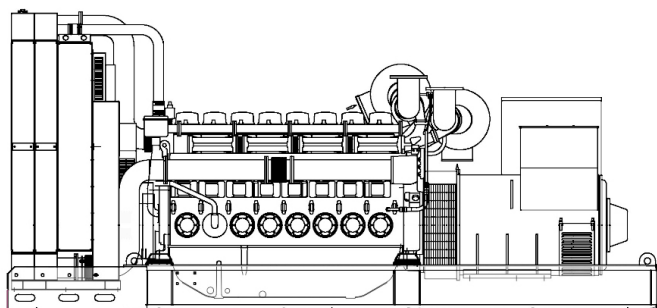




POWERFULL "U"



For illustrative purposes only

ENGINE

Description	MITSUBISHI
Engine model	S12R-PTA2
Cylinders	12
RPM speed	1800
Cubic capacity	49.03 l
Air intake	Turbocharged
Standard voltage	24 Vdc
Optional voltage	Vdc
Sae	00-21
BMEP	1824 kPa
Cooling	Water
Flywheel P.R.P. Power net	1340.0 kW
Flywheel E.P. Power net	1470.0 kW
Fuel Cons. at 100% (E.P.)	377.0 l/h
Fuel Cons. at 100% (P.R.P.)	344.0 l/h
Fuel Cons. at 75% (P.R.P.)	262.0 l/h
Fuel Cons. at 50% (P.R.P.)	189.0 l/h
Fuel Cons. at 25% (P.R.P.)	114.0 l/h
Electronic regulator	Standard
Precision class	G3
Oil quantity	180.0 l
Engine Antifreeze capacity	125.0 l
Radiator type	TE
Heat from radiator	798.0 kW
Heat from exhaust	960.0 kW
Heat from radiation	95.8 kW
Exhaust temperature	0 °C
	0.0
Combustion air flow	109.0 m ³ /min
Exhaust gas flow	290.0 m ³ /min
TA Luft	N
TA Luft/2	N
EPA	N
Stage	N

MAIN DATA

Continuous power (PRP)	1540.00 kVA
Continuous power (PRP)	1232.00 kW
Emergency power (E.P.)	1700.00 kVA
Emergency power (E.P.)	1360.00 kW
VAC - HZ - cos(fi)	460 - 60 - 0.8

DIMENSIONS AND WEIGHT

Width	2000 mm
Length	4530 mm
Height	2242 mm
Weight	11000 kg

ALTERNATOR

Description	STAMFORD
Alternator model	PI734B
P.R.P. Power	1655.0 kVA
E.P. Power	1775.0 kVA
Connection	Star
Phases	3FN
Winding	312
Terminal Number	6 nr.
IP Protection	23
Electronic regulator	MX341
Precision	1.0 ± %

BASEFRAME

Model	ST60
Standard tank	0 l
Optional tank	0 l
Oversized tank*	0 l

CANOPY & SILENCER

Canopy model	SENZA COFANO
Silencer model	MS 55
Silencer outlet diameter	324.0 mm

Standard reference conditions temperature 25°C, altitude 100m asl, relative humidity 30%, atmospheric pressure 100 kPa (1 bar), power factor 0.8 lag, balanced load - non distortional. Fuel consumption is nominal and refers to specific weight 0.850kg/l. Sound power values refer to free field conditions: the installation site may influence the values. Dimensions, weights and other specifications contained in the technical data sheet and related attachments are nominal, subject to tolerances and refer to the model with standard equipment; any optional and additional equipment/accessories can modify weight, dimensions, performance. **P.R.P. - Prime Power-Continuous power at variable load:** The power that a genset can supply in continuous service at a variable load for an unlimited number of hours per year while respecting the maintenance intervals established in the environmental conditions stated by the Manufacturer, according to ISO8528-1. The average power supplied over time and any applicable overload must be less than the percentages stated by the Manufacturer. **E.P. - Emergency power:** This is the maximum power that a generating set can deliver for a limited number of hours per year while complying with the maintenance frequency stipulated under the environmental conditions set by the Manufacturer. The number of hours per year is determined by the engine manufacturer. The average power output over time must be lower than the percentages set by the engine manufacturer. Overloading is not allowed.

The data contained in this document is nominal and refers to the standard equipped model and is not binding. Visa S.p.A. reserves the right to revise the information without notice per our policy of continuous product development and improvement.

