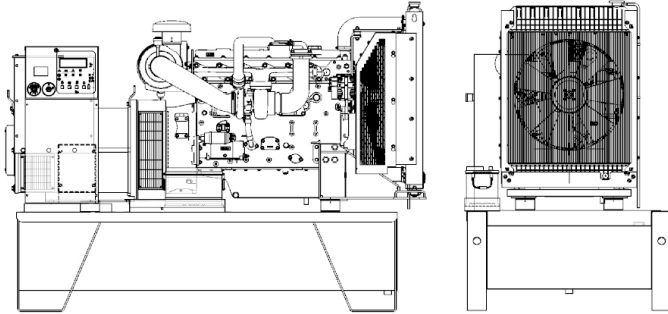




## POWERFULL "B"



For illustrative purposes only

### ENGINE

Description	PERKINS
Engine model	1106A-70TG1
Cylinders	6
RPM speed	1500
Cubic capacity	7.01 l
Air intake	Turbocharged
Standard voltage	12 Vdc
Optional voltage	24 Vdc
Sae	3-11½
BMEP	1412 kPa
Cooling	Water
Flywheel P.R.P. Power net	118.7 kW
Flywheel E.P. Power net	131.9 kW
Fuel Cons. at 100% (E.P.)	33.8 l/h
Fuel Cons. at 100% (P.R.P.)	30.3 l/h
Fuel Cons. at 75% (P.R.P.)	22.7 l/h
Fuel Cons. at 50% (P.R.P.)	15.9 l/h
Fuel Cons. at 25% (P.R.P.)	9.0 l/h
Electronic regulator	On request
Precision class	G2
Oil quantity	16.5 l
Engine Antifreeze capacity	9.5 l
Radiator type	TR
Heat from radiator	82.0 kW
Heat from exhaust	102.0 kW
Heat from radiation	15.3 kW
Exhaust temperature	576 °C
Cooling air flow	182.0 m³/min
Combustion air flow	8.1 m³/min
Exhaust gas flow	22.7 m³/min
TA Luft	N
TA Luft/2	N
EPA	N
Stage	N

### MAIN DATA

Continuous power (PRP)	<b>135.00</b> kVA
Continuous power (PRP)	<b>108.00</b> kW
Emergency power (E.P.)	<b>150.00</b> kVA
Emergency power (E.P.)	<b>120.00</b> kW
VAC - HZ - cos(fi)	<b>415 - 50 - 0.8</b>

### DIMENSIONS AND WEIGHT

Width	1090 mm
Length	2220 mm
Height	1630 mm
Weight	1540 kg

### ALTERNATOR

Description	STAMFORD
Alternator model	UCI274E
P.R.P. Power	140.0 kVA
E.P. Power	150.0 kVA
Connection	Series star
Phases	3FN
Winding	311
Terminal Number	12 nr.
IP Protection	23
Electronic regulator	AS440
Precision	1.0 ± %

### BASEFRAME

Model	T2
Standard tank	520 l
Optional tank	0 l
Oversized tank*	0 l

### CANOPY & SILENCER

Canopy model	Not present
Silencer model	MS 20
Silencer outlet diameter	89.0 mm

Standard reference conditions temperature 25°C, altitude 100m asl, relative humidity 30%, atmospheric pressure 100 kPa (1 bar), power factor 0.8 lag, balanced load - non distortional. Fuel consumption is nominal and refers to specific weight 0.850kg/l. Sound power values refer to free field conditions: the installation site may influence the values. Dimensions, weights and other specifications contained in the technical data sheet and related attachments are nominal, subject to tolerances and refer to the model with standard equipment; any optional and additional equipment/accessories can modify weight, dimensions, performance. **P.R.P. - Prime Power-Continuous power at variable load:** The power that a genset can supply in continuous service at a variable load for an unlimited number of hours per year while respecting the maintenance intervals established in the environmental conditions stated by the Manufacturer, according to ISO8528-1. The average power supplied over time and any applicable overload must be less than the percentages stated by the Manufacturer. **E.P. - Emergency power:** This is the maximum power that a generating set can deliver for a limited number of hours per year while complying with the maintenance frequency stipulated under the environmental conditions set by the Manufacturer. The number of hours per year is determined by the engine manufacturer. The average power output over time must be lower than the percentages set by the engine manufacturer. Overloading is not allowed.

The data contained in this document is nominal and refers to the standard equipped model and is not binding. Visa S.p.A. reserves the right to revise the information without notice per our policy of continuous product development and improvement.

