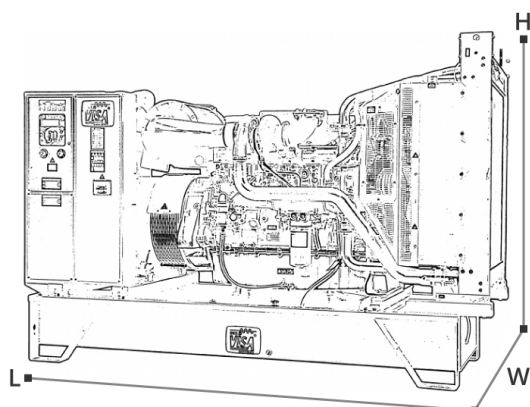



POWERFULL "B"


For illustrative purposes only

ENGINE

Engine brand	VOLVO-PENTA
Engine model	TAD1642GE
Cylinders	6
Speed	1500 r.p.m.
Cubic capacity	16.12 l
Air intake	Turbocharged
Standard voltage	24 Vdc
Optional voltage	Vdc
Sae	1-14
BMEP	2800 kPa
Cooling	Water
Flywheel P.R.P. Power	503.0 kW
Flywheel Stand-by Power	554.0 kW
Fuel Cons. at 100% (L.T.P.)	134.4 l/h
Fuel Cons. at 100% (P.R.P.)	130.3 l/h
Fuel Cons. at 75% (P.R.P.)	90.1 l/h
Fuel Cons. at 50% (P.R.P.)	60.9 l/h
Fuel Cons. at 25% (P.R.P.)	32.2 l/h
Electronic regulator	Standard
Precision class	G3
Oil quantity	48.0 l
Engine Antifreeze capacity	33.0 l
Radiator type	Tropical
Heat from radiator	112.0 kW
Heat from exhaust	379.0 kW
Heat from radiation	18.0 kW
Exhaust temperature	456 °C
Cooling air flow	444.00 m ³ /min
Combustion air flow	0.00 m ³ /min
Exhaust gas flow	94.40 m ³ /min
TA Luft	Standard
TA Luft/2	Not available
EPA	Tier 2
Stage	Stage 2

MAIN DATA

Continuous power (PRP)	591.0 (kVA)
Continuous power (PRP)	472.8 (kW)
Stand-by power (LTP)	651.0 (kVA)
Stand-by power (LTP)	520.8 (kW)
Voltage • Frequency • Power Factor	380V • 50Hz • 0.8 cosφ
Sound pressure 7 m.	0.0 dBA

DIMENSIONS AND WEIGHT

Width	1300 mm
Length	3270 mm
Height	2250 mm
Weight	3990 kg

ALTERNATOR

Alternator brand	MECC ALTE
Alternator model	ECO40 1.5L4 B
P.R.P. Power	625.0 kVA
L.T.P. Power	675.0 kVA
Connection	Parallel star
Phases	3PH+N
Winding	12 terminals 800 V
Terminal Number	12 nr.
IP Protection	23
Electronic regulator	DER-1
Precision	1.0 ± %

BASEFRAME

Model	T3
Standard tank	900 l
Optional tank	0 l
Oversized tank*	0 l

CANOPY & SILENCER

Canopy model	SENZA COFANO
Silencer model	MS 35
Silencer outlet diameter	168.0 mm

Standard reference conditions temperature 25°C, altitude 100m asl, relative humidity 30%, atmospheric pressure 100 kPa (1 bar), power factor 0.8 lag, balanced load - non distortional. Fuel consumption is nominal and refers to specific weight 0,850kg/l. Sound power values refer to free field conditions: the installation site may influence the values. Dimensions, weights and other specifications contained in the technical data sheet and related attachments are nominal, subject to tolerances and refer to the model with standard equipment; any optional and additional equipment/accessories can modify weight, dimensions, performance.

P.R.P. Prime Power-Continuous power at variable load: The power that a genset can supply in continuous service at a variable load for an unlimited number of hours per year while respecting the maintenance intervals established in the environmental conditions stated by the Manufacturer. according to ISO8528-1. The average power supplied over time and any applicable overload must be less than the percentages stated by the Manufacturer.

L.T.P. Limited-time running power-Limited power: The maximum power that a genset can supply for a limited time respecting the maintenance intervals established in the environmental conditions stated by the Manufacturer according to ISO 8528-1. The number of hours per year is stated by the Manufacturer. Overload is not permitted.

