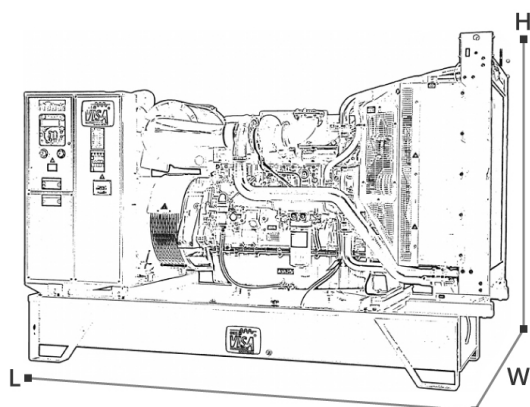




POWERFULL "B"



For illustrative purposes only

ENGINE

Engine brand	VOLVO-PENTA
Engine model	TWD1645GE
Cylinders	6
Speed	1500 r.p.m.
Cubic capacity	16.12 l
Air intake	Turbocharged
Standard voltage	24 Vdc
Optional voltage	Vdc
Sae	1-14
BMEP	3100 kPa
Cooling	Water
Flywheel P.R.P. Power	595.0 kW
Flywheel Stand-by Power	654.0 kW
Fuel Cons. at 100% (L.T.P.)	152.1 l/h
Fuel Cons. at 100% (P.R.P.)	138.4 l/h
Fuel Cons. at 75% (P.R.P.)	106.5 l/h
Fuel Cons. at 50% (P.R.P.)	74.6 l/h
Fuel Cons. at 25% (P.R.P.)	39.5 l/h
Electronic regulator	Standard
Precision class	G3
Oil quantity	48.0 l
Engine Antifreeze capacity	25.0 l
Radiator type	Tropical
Heat from radiator	405.0 kW
Heat from exhaust	473.0 kW
Heat from radiation	26.0 kW
Exhaust temperature	501 °C
Cooling air flow	684.00 m ³ /min
Combustion air flow	43.53 m ³ /min
Exhaust gas flow	106.00 m ³ /min
TA Luft	Not available
TA Luft/2	Not available
EPA	Tier 2
Stage	Not available

MAIN DATA

Continuous power (PRP)	700.0 (kVA)
Continuous power (PRP)	560.0 (kW)
Stand-by power (LTP)	770.0 (kVA)
Stand-by power (LTP)	616.0 (kW)
Voltage • Frequency • Power Factor	415V • 50Hz • 0.8 cosφ
Sound pressure 7 m.	0.0 dBA

DIMENSIONS AND WEIGHT

Width	1350 mm
Length	3460 mm
Height	2300 mm
Weight	4950 kg

ALTERNATOR

Alternator brand	MARELLI
Alternator model	MJB355MB4
P.R.P. Power	800.0 kVA
L.T.P. Power	880.0 kVA
Connection	Star
Phases	3PH+N
Winding	6 terminals 355 Winding 17
Terminal Number	6 nr.
IP Protection	23
Electronic regulator	M31FA600A
Precision	0.5 ± %

BASEFRAME

Model	T3
Standard tank	900 l
Optional tank	0 l
Oversized tank*	0 l

CANOPY & SILENCER

Canopy model	SENZA COFANO
Silencer model	MS 35
Silencer outlet diameter	168.0 mm

Standard reference conditions temperature 25°C, altitude 100m asl, relative humidity 30%, atmospheric pressure 100 kPa (1 bar), power factor 0.8 lag, balanced load - non distortional. Fuel consumption is nominal and refers to specific weight 0,850kg/l. Sound power values refer to free field conditions: the installation site may influence the values. Dimensions, weights and other specifications contained in the technical data sheet and related attachments are nominal, subject to tolerances and refer to the model with standard equipment; any optional and additional equipment/accessories can modify weight, dimensions, performance.

P.R.P. Prime Power-Continuous power at variable load: The power that a genset can supply in continuous service at a variable load for an unlimited number of hours per year while respecting the maintenance intervals established in the environmental conditions stated by the Manufacturer. according to ISO8528-1. The average power supplied over time and any applicable overload must be less than the percentages stated by the Manufacturer.

L.T.P. Limited-time running power-Limited power: The maximum power that a genset can supply for a limited time respecting the maintenance intervals established in the environmental conditions stated by the Manufacturer according to ISO 8528-1. The number of hours per year is stated by the Manufacturer. Overload is not permitted.

The data contained in this document is nominal and refers to the standard equipped model and is not binding. Visa S.p.A. reserves the right to revise the information without notice per our policy of continuous product development and improvement.

