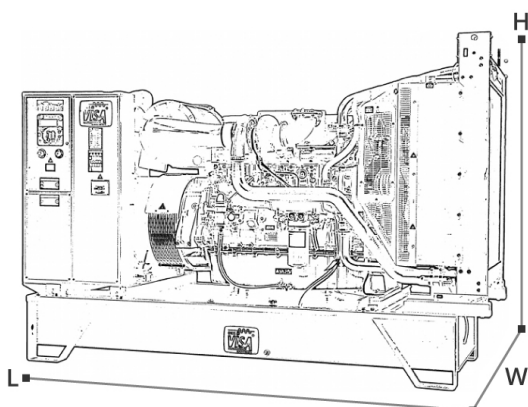




POWERFULL "B"



For illustrative purposes only

ENGINE

Engine brand	JOHN DEERE
Engine model	6068HF258
Cylinders	6
Speed	1500 r.p.m.
Cubic capacity	6.80 l
Air intake	Turbocharged
Standard voltage	12 Vdc
Optional voltage	24 Vdc
Sae	3-11½
BMEP	1956 kPa
Cooling	Water
Flywheel P.R.P. Power	160.0 kW
Flywheel Stand-by Power	177.0 kW
Fuel Cons. at 100% (L.T.P.)	45.2 l/h
Fuel Cons. at 100% (P.R.P.)	40.8 l/h
Fuel Cons. at 75% (P.R.P.)	31.3 l/h
Fuel Cons. at 50% (P.R.P.)	20.5 l/h
Fuel Cons. at 25% (P.R.P.)	10.7 l/h
Electronic regulator	On request
Precision class	A
Oil quantity	32.0 l
Engine Antifreeze capacity	0.0 l
Radiator type	Tropical
Heat from radiator	0.0 kW
Heat from exhaust	0.0 kW
Heat from radiation	0.0 kW
Exhaust temperature	590 °C
Cooling air flow	198.00 m³/min
Combustion air flow	10.70 m³/min
Exhaust gas flow	30.30 m³/min
TA Luft	Standard
TA Luft/2	Not available
EPA	Not available
Stage	Not available

MAIN DATA

Continuous power (PRP)	160.0 (kVA)
Continuous power (PRP)	128.0 (kW)
Stand-by power (LTP)	175.0 (kVA)
Stand-by power (LTP)	140.0 (kW)
Voltage • Frequency • Power Factor	380V • 50Hz • 0.8 cosφ
Sound pressure 7 m.	0.0 dBA

DIMENSIONS AND WEIGHT

Width	1116 mm
Length	2380 mm
Height	1782 mm
Weight	1650 kg

ALTERNATOR

Alternator brand	STAMFORD
Alternator model	UCI274F
P.R.P. Power	160.0 kVA
L.T.P. Power	175.0 kVA
Connection	Series star
Phases	3PH+N
Winding	12 terminals Winding 311
Terminal Number	12 nr.
IP Protection	23
Electronic regulator	SX460
Precision	1.5 ± %

BASEFRAME

Model	T2
Standard tank	520 l
Optional tank	0 l
Oversized tank*	0 l

CANOPY & SILENCER

Canopy model	SENZA COFANO
Silencer model	MS 20
Silencer outlet diameter	89.0 mm

Standard reference conditions temperature 25°C, altitude 100m asl, relative humidity 30%, atmospheric pressure 100 kPa (1 bar), power factor 0.8 lag, balanced load - non distortional. Fuel consumption is nominal and refers to specific weight 0,850kg/l. Sound power values refer to free field conditions: the installation site may influence the values. Dimensions, weights and other specifications contained in the technical data sheet and related attachments are nominal, subject to tolerances and refer to the model with standard equipment; any optional and additional equipment/accessories can modify weight, dimensions, performance.

P.R.P. Prime Power-Continuous power at variable load: The power that a genset can supply in continuous service at a variable load for an unlimited number of hours per year while respecting the maintenance intervals established in the environmental conditions stated by the Manufacturer. according to ISO8528-1. The average power supplied over time and any applicable overload must be less than the percentages stated by the Manufacturer.

L.T.P. Limited-time running power-Limited power: The maximum power that a genset can supply for a limited time respecting the maintenance intervals established in the environmental conditions stated by the Manufacturer according to ISO 8528-1. The number of hours per year is stated by the Manufacturer. Overload is not permitted.

