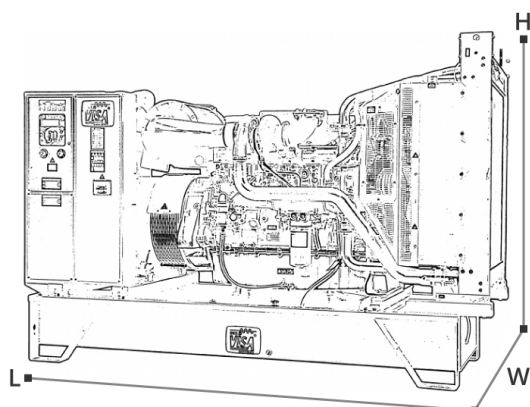



**POWERFULL "B"**


For illustrative purposes only

**ENGINE**

Engine brand	FPT IVECO
Engine model	N67TM2A
Cylinders	6
Speed	1500 r.p.m.
Cubic capacity	6.70 l
Air intake	Turbocharged
Standard voltage	12 Vdc
Optional voltage	24 Vdc
Sae	3-11½
BMEP	1411 kPa
Cooling	Water
Flywheel P.R.P. Power	114.0 kW
Flywheel Stand-by Power	125.0 kW
Fuel Cons. at 100% (L.T.P.)	32.0 l/h
Fuel Cons. at 100% (P.R.P.)	29.3 l/h
Fuel Cons. at 75% (P.R.P.)	22.6 l/h
Fuel Cons. at 50% (P.R.P.)	15.8 l/h
Fuel Cons. at 25% (P.R.P.)	0.0 l/h
Electronic regulator	On request
Precision class	G2
Oil quantity	17.2 l
Engine Antifreeze capacity	10.5 l
Radiator type	Tropical
Heat from radiator	63.0 kW
Heat from exhaust	86.5 kW
Heat from radiation	9.1 kW
Exhaust temperature	468 °C
Cooling air flow	192.00 m³/min
Combustion air flow	9.30 m³/min
Exhaust gas flow	24.30 m³/min
TA Luft	Not available
TA Luft/2	Not available
EPA	Not available
Stage	Stage 2

**MAIN DATA**

Continuous power (PRP)	130.0 (kVA)
Continuous power (PRP)	104.0 (kW)
Stand-by power (LTP)	143.0 (kVA)
Stand-by power (LTP)	114.4 (kW)
Voltage • Frequency • Power Factor	380V • 50Hz • 0.8 cosφ
Sound pressure 7 m.	0.0 dBA

**DIMENSIONS AND WEIGHT**

Width	1100 mm
Length	2408 mm
Height	1780 mm
Weight	1670 kg

**ALTERNATOR**

Alternator brand	STAMFORD
Alternator model	UCI274E
P.R.P. Power	140.0 kVA
L.T.P. Power	150.0 kVA
Connection	Series star
Phases	3PH+N
Winding	12 terminals Winding 311
Terminal Number	12 nr.
IP Protection	23
Electronic regulator	SX460
Precision	1.5 ± %

**BASEFRAME**

Model	T2
Standard tank	520 l
Optional tank	0 l
Oversized tank*	0 l

**CANOPY & SILENCER**

Canopy model	SENZA COFANO
Silencer model	MS 15
Silencer outlet diameter	70.0 mm

Standard reference conditions temperature 25°C, altitude 100m asl, relative humidity 30%, atmospheric pressure 100 kPa (1 bar), power factor 0.8 lag, balanced load - non distortional. Fuel consumption is nominal and refers to specific weight 0,850kg/l. Sound power values refer to free field conditions: the installation site may influence the values. Dimensions, weights and other specifications contained in the technical data sheet and related attachments are nominal, subject to tolerances and refer to the model with standard equipment; any optional and additional equipment/accessories can modify weight, dimensions, performance.

**P.R.P. Prime Power-Continuous power at variable load:** The power that a genset can supply in continuous service at a variable load for an unlimited number of hours per year while respecting the maintenance intervals established in the environmental conditions stated by the Manufacturer. according to ISO8528-1. The average power supplied over time and any applicable overload must be less than the percentages stated by the Manufacturer.

**L.T.P. Limited-time running power-Limited power:** The maximum power that a genset can supply for a limited time respecting the maintenance intervals established in the environmental conditions stated by the Manufacturer according to ISO 8528-1. The number of hours per year is stated by the Manufacturer. Overload is not permitted.

