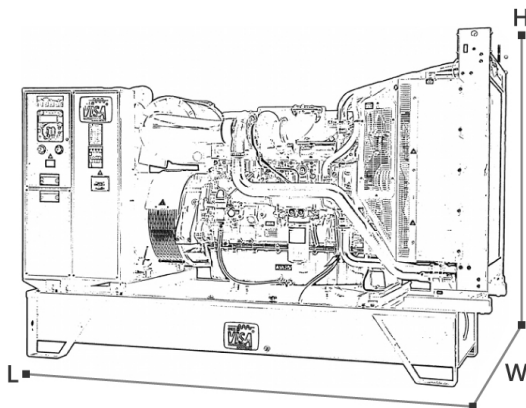




POWERFULL "B"



For illustrative purposes only

ENGINE

Engine brand	DOOSAN
Engine model	P126TI-II
Cylinders	6
Speed	1500 r.p.m.
Cubic capacity	11.05 l
Air intake	Turbocharged
Standard voltage	24 Vdc
Optional voltage	Vdc
Sae	1-14
BMEP	1911 kPa
Cooling	Water
Flywheel P.R.P. Power	258.0 kW
Flywheel Stand-by Power	287.0 kW
Fuel Cons. at 100% (L.T.P.)	77.6 l/h
Fuel Cons. at 100% (P.R.P.)	63.1 l/h
Fuel Cons. at 75% (P.R.P.)	47.0 l/h
Fuel Cons. at 50% (P.R.P.)	31.3 l/h
Fuel Cons. at 25% (P.R.P.)	16.9 l/h
Electronic regulator	Standard
Precision class	G3
Oil quantity	26.0 l
Engine Antifreeze capacity	19.0 l
Radiator type	Temperate
Heat from radiator	155.5 kW
Heat from exhaust	254.0 kW
Heat from radiation	35.0 kW
Exhaust temperature	590 °C
Cooling air flow	0.00 m ³ /min
Combustion air flow	20.10 m ³ /min
Exhaust gas flow	47.40 m ³ /min
TA Luft	Not available
TA Luft/2	Not available
EPA	Not available
Stage	Not available

MAIN DATA

Continuous power (PRP)	300.0 (kVA)
Continuous power (PRP)	240.0 (kW)
Stand-by power (LTP)	330.0 (kVA)
Stand-by power (LTP)	264.0 (kW)
Voltage • Frequency • Power Factor	380V • 50Hz • 0.8 cosφ
Sound pressure 7 m.	0.0 dBA

DIMENSIONS AND WEIGHT

Width	1250 mm
Length	3000 mm
Height	2000 mm
Weight	2680 kg

ALTERNATOR

Alternator brand	STAMFORD
Alternator model	HCI4D
P.R.P. Power	300.0 kVA
L.T.P. Power	330.0 kVA
Connection	Series star
Phases	3PH+N
Winding	12 terminals Winding 311
Terminal Number	12 nr.
IP Protection	23
Electronic regulator	AS440
Precision	1.0 ± %

BASEFRAME

Model	T3
Standard tank	900 l
Optional tank	0 l
Oversized tank*	0 l

CANOPY & SILENCER

Canopy model	SENZA COFANO
Silencer model	MS 30
Silencer outlet diameter	140.0 mm

Standard reference conditions temperature 25°C, altitude 100m asl, relative humidity 30%, atmospheric pressure 100 kPa (1 bar), power factor 0.8 lag, balanced load - non distortional. Fuel consumption is nominal and refers to specific weight 0,850kg/l. Sound power values refer to free field conditions: the installation site may influence the values. Dimensions, weights and other specifications contained in the technical data sheet and related attachments are nominal, subject to tolerances and refer to the model with standard equipment; any optional and additional equipment/accessories can modify weight, dimensions, performance.

P.R.P. Prime Power-Continuous power at variable load: The power that a genset can supply in continuous service at a variable load for an unlimited number of hours per year while respecting the maintenance intervals established in the environmental conditions stated by the Manufacturer. according to ISO8528-1. The average power supplied over time and any applicable overload must be less than the percentages stated by the Manufacturer.

L.T.P. Limited-time running power-Limited power: The maximum power that a genset can supply for a limited time respecting the maintenance intervals established in the environmental conditions stated by the Manufacturer according to ISO 8528-1. The number of hours per year is stated by the Manufacturer. Overload is not permitted.

The data contained in this document is nominal and refers to the standard equipped model and is not binding. Visa S.p.A. reserves the right to revise the information without notice per our policy of continuous product development and improvement.

